

SPECIFICATION OF PDSM2000-CN SEPARATOR



Overall dimensions

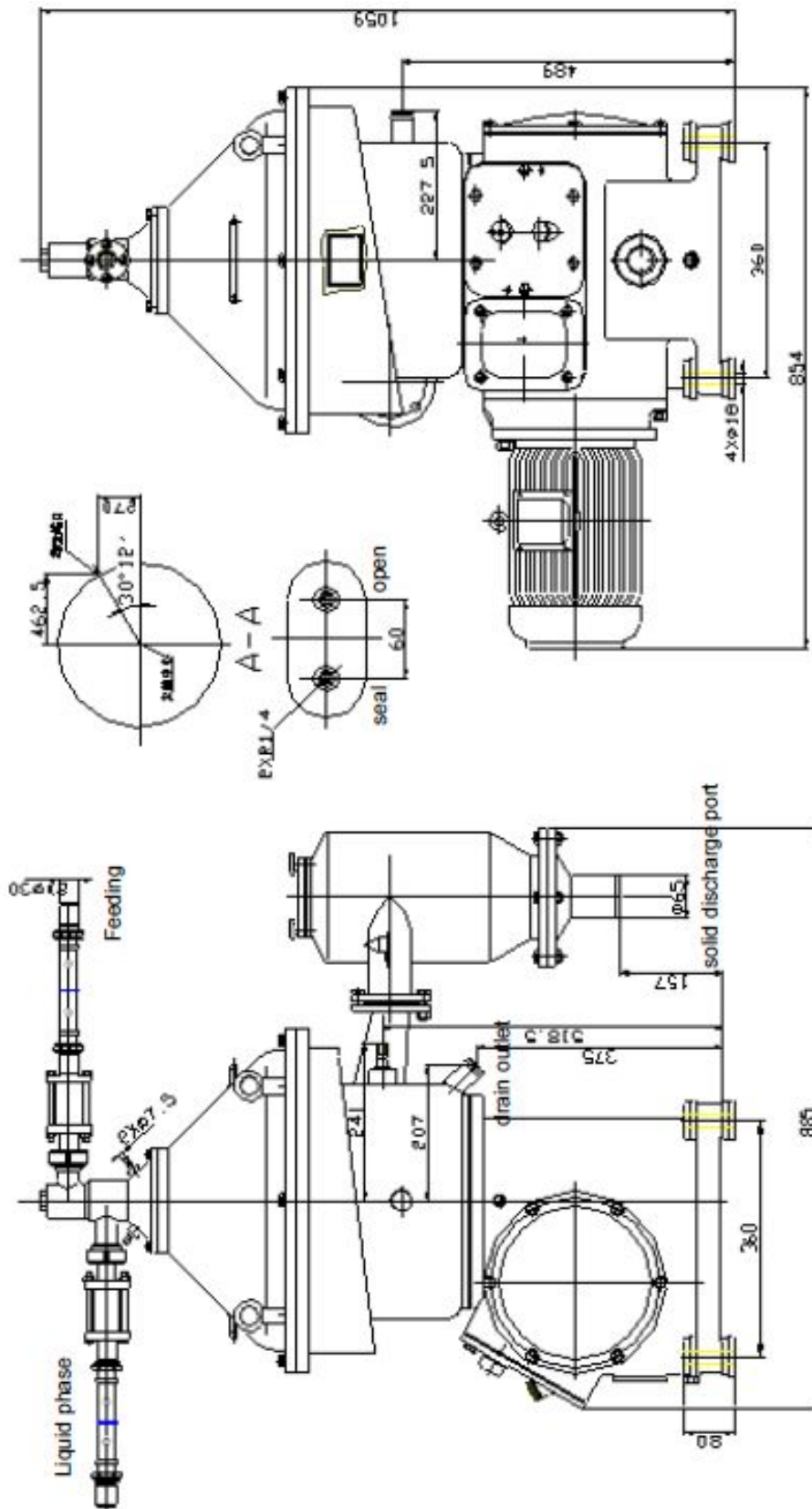
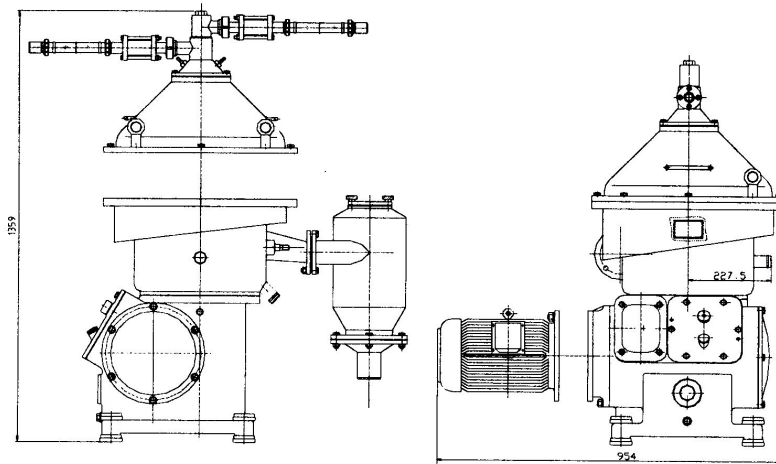
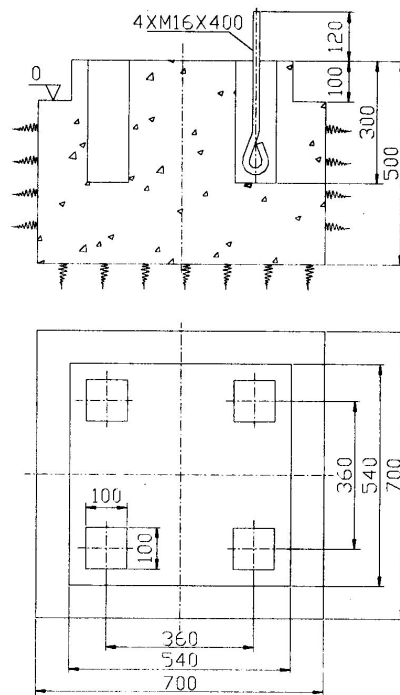


Figure of Epitaxial Size of Maintenance Space



The above projected epitaxial size is the maintenance size for drum, vertical shaft parts and motor-side maintenance spaces, respectively.



Installation notice

- 1. For maintenance and repair, please leave enough space around the separator when install it.*
- 2. The installation base should be firm and level.*
- 3. All the pipes connecting with the separator should be flexible pipe.*
- 4. The operation water of the separator must be soft water, the pressure of which is between 0.025 and 0.03Mpa.*

Main technical parameters

<i>Discharging type</i>	<i>Full-automatic discharge</i>	
<i>Rated capacity</i>	<i>L/h</i>	<i>2000</i>
<i>Motor power</i>	<i>Kw</i>	<i>4KW</i>
<i>Heavy liquid outlet pressure</i>	<i>MPa</i>	<i>≥0.1</i>
<i>Speed</i>	<i>rpm</i>	<i>7200</i>
<i>Starting time</i>	<i>min</i>	<i>≤5</i>
<i>Unit weight</i>	<i>kg</i>	<i>409</i>
<i>Starting mode</i>	<i>Friction start</i>	